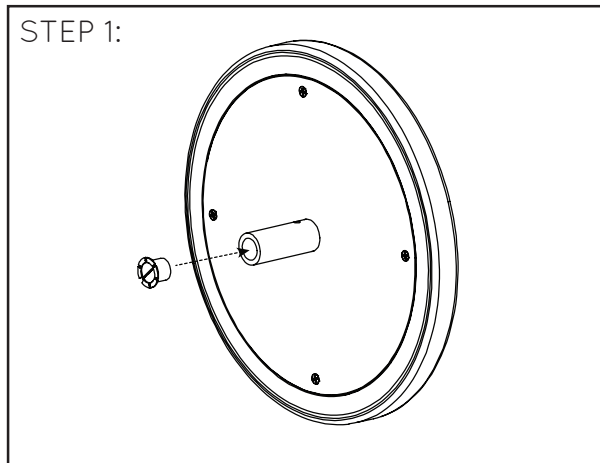
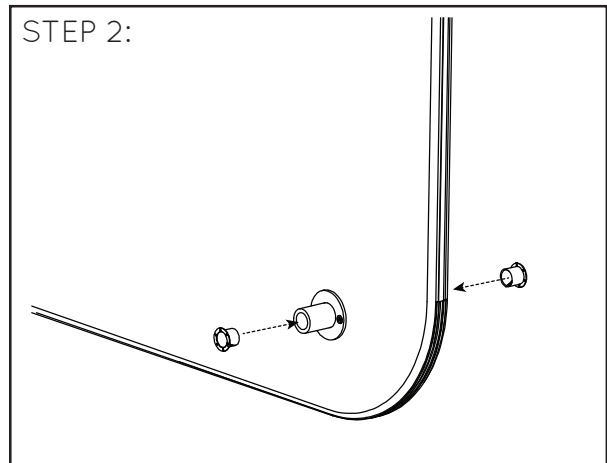


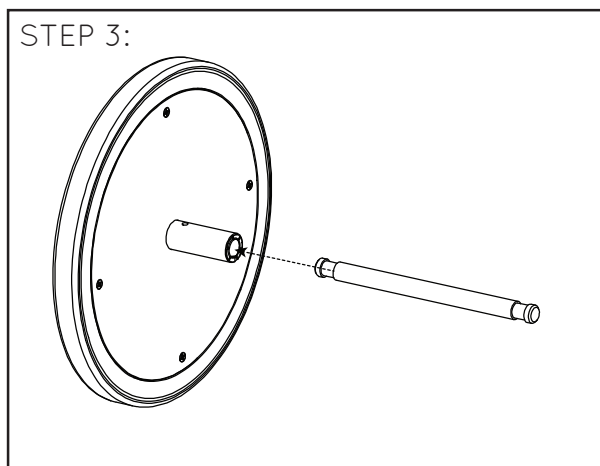
# WALS™ & WALS-X™ Assembly Instructions



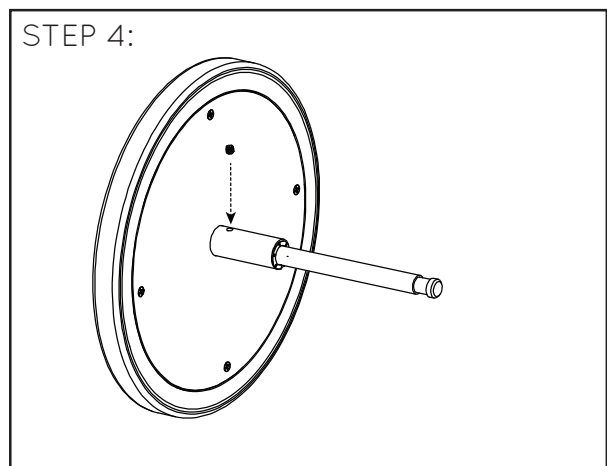
Insert plastic bushing into both wheel assemblies.



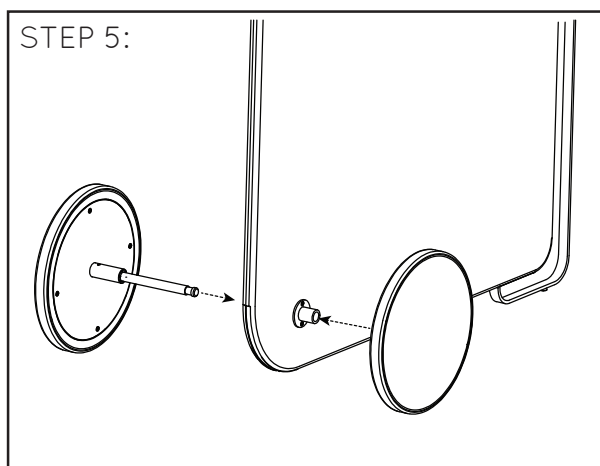
Insert plastic bushings into both sides of panel.



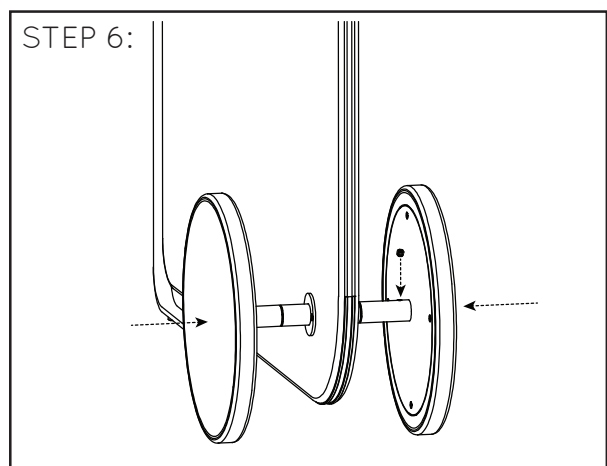
Insert axle into wheel assembly. Ensure axle is fully inserted into wheel assembly.



Using an allen wrench, loosely install set screw. Set screw should align with notch in axle.  
\*Do not fully tighten set screw until STEP 6.



Slide axle through panel and into opposite wheel assembly. Push both wheel assemblies tight against panel.



While pushing inward on both wheels, install set screw into second wheel assembly. Set screw should align with notch in axle. Give both set screws a final hand tighten.